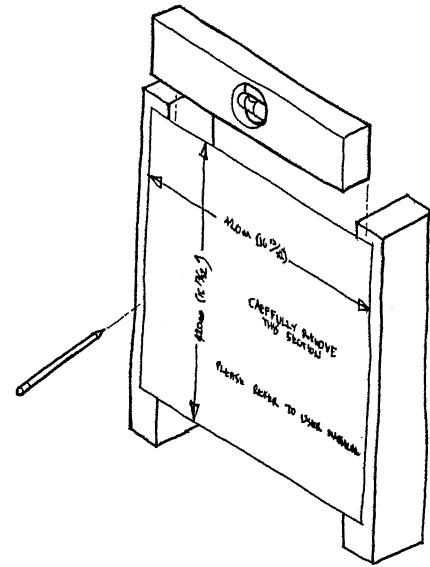
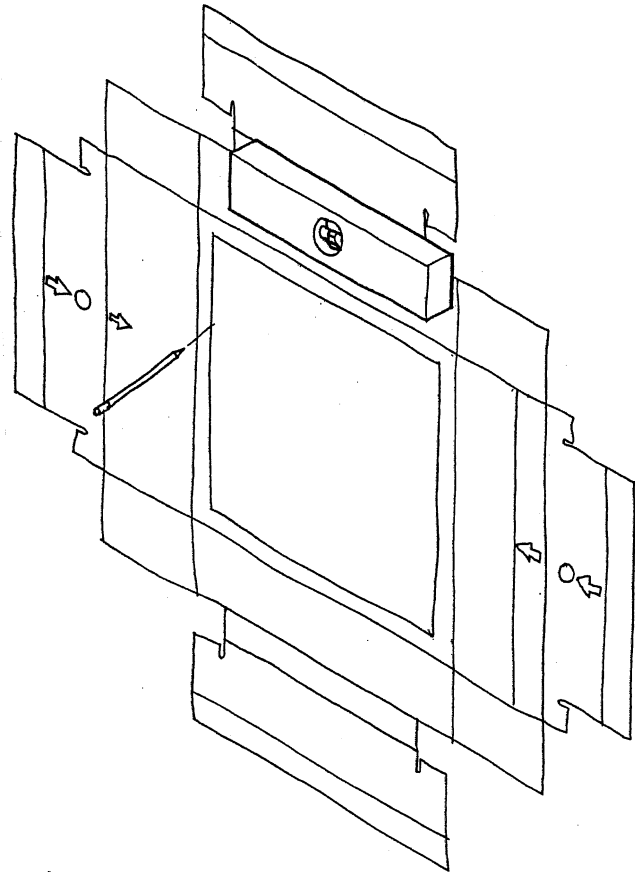


MERIDIAN DSP420 FITTING INSTRUCTIONS

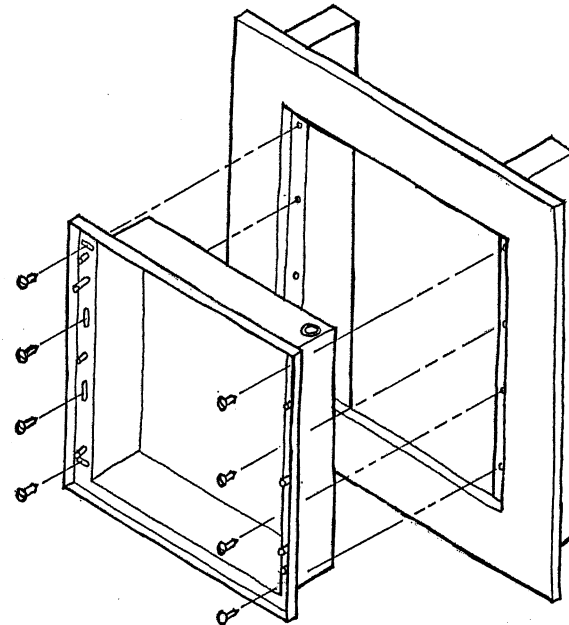


1. PRE CONSTRUCTION INSTALLATION TEMPLATE POSITIONED TO WALL STUDS. KEEP LEVEL

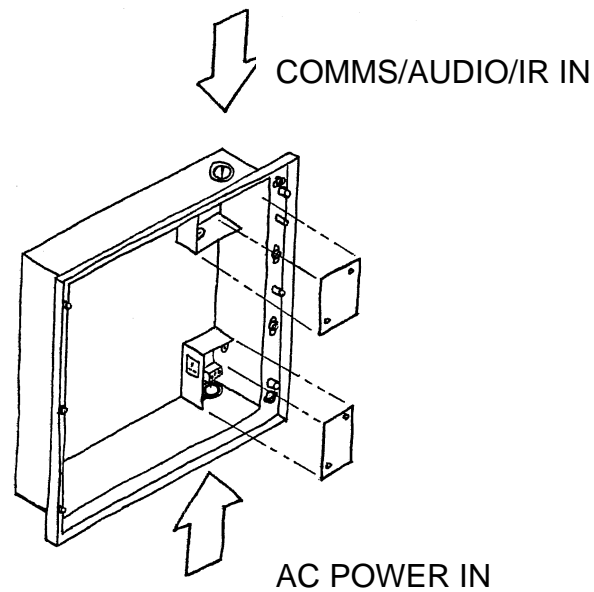
*PLEASE NOTE ALTERNATIVE TEMPLATES FOR EITHER POST OR PRE CONSTRUCTION OF WALL BOARD AND STUDS.



2. POST CONSTRUCTION INSTALLATION LOCATE CENTRE POINT BETWEEN STUDS. KEEP LEVEL

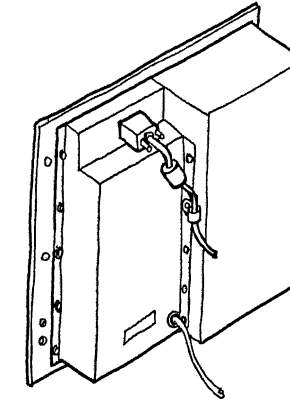


3. CUT WALL BOARD USING ROTO CUT ROUTER, SAW OR OTHER ACCURATE METHOD. POSITION CABLES AND FIT MOUNTING BOX

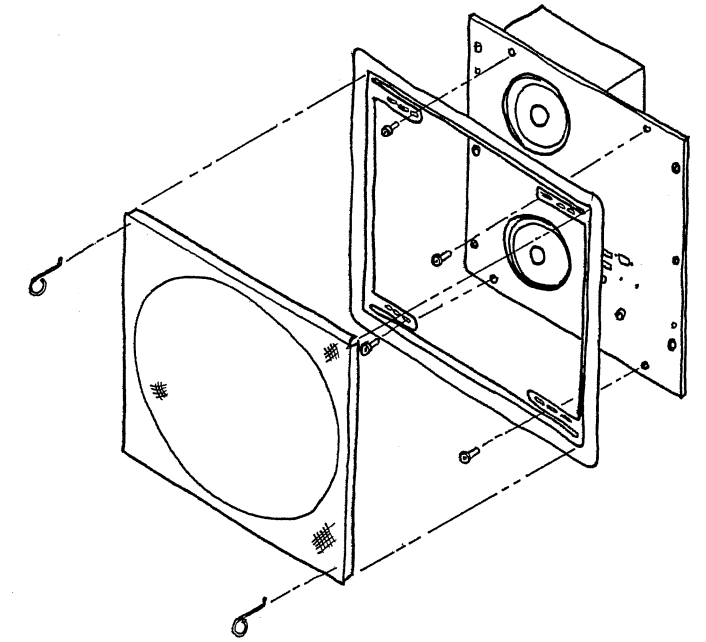


4. POWER AND COMMS TERMINATIONS. SEE OVER LEAF FOR COMMS WIRING

*PLEASE NOTE THE SUPPLIED CLIP ON FERRITE SHOULD BE FITTED TO AC POWER INLET CABLE CLOSE TO OUTSIDE OF WALL BOX.

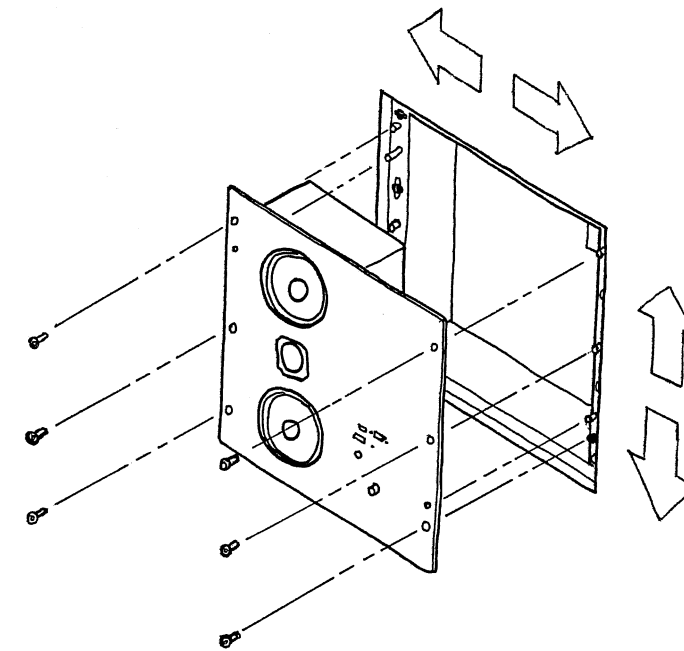


5. SECURE COMMS/AUDIO/IR IN CABLE WITH SUPPLIED 'P' CLIP



7. SECURE FRAME AND FIT GRILLE INTO FRAM.

*PLEASE NOTE GRILLE CAN BE CAREFULLY REMOVED USING THE SUPPLIED REMOVAL TOOLS.



6. CONNECT POWER LEAD TO SOCKET AND 15 WAY 'D' CABLE BETWEEN SPEAKER AND WALL BOX

*PLEASE NOTE THE DSP420 MAIN UNIT MUST BE SECURED INTO WALL BOX USING THE 6 OFF M5 X 12 HEXAGON BUTTON HEAD SCREWS SUPPLIED. MERIDIAN PART NUMBER H61513

Low Voltage Wiring Instructions for DSP420

NB. THE PRE-ASSEMBLED TERMINAL BLOCK SHOULD BE UNPLUGGED FROM THE PCB SOCKET PRIOR TO CONNECTION

The DSP420 requires the following connections:

1. Comms Input (pins 9&10)
2. Digital Audio Input (pins 13&14)

The Slave link (Pins 7&8) should be fitted for a Slave speaker and removed for a Master speaker.

If it is to be daisy-chained to a further speaker it requires the following additional connections:

3. Comms Output (pins 5&6)
4. Digital Audio Output (Pins 11&12)

If IR input is required from a sensor such as a Meridian 512, this can be connected to pins 1 to 3.

Typical connections are shown in the diagrams below.

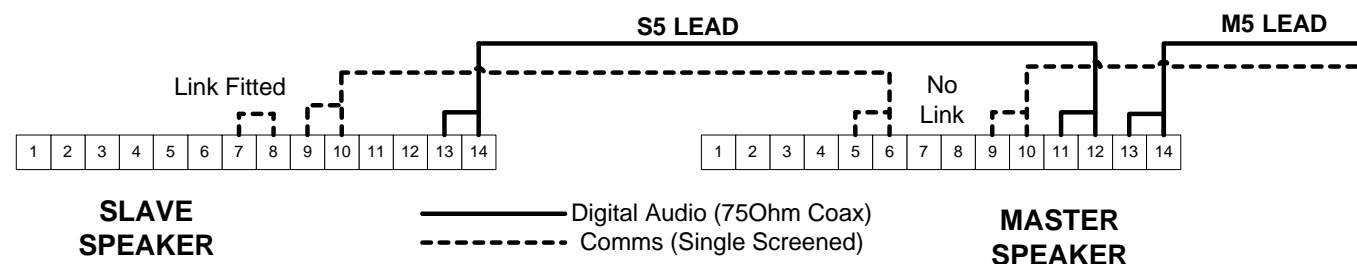
1	+8V (50mA)	For connection to an IR Receiver e.g. a Meridian 512
2	Ground	
3	IR In	
4	Ground	Comms Output to next speaker in pair (see below)
5	Comms Out	
6	C.O. Ground	Slave Link – Remove if Master Speaker Fit if Slave Speaker (fitted as default)
7	Slave Link	
8	Slave Link	Comms Input from speaker or system (see below)
9	Comms In	
10	C.I. Ground	Digital Output to next speaker
11	Dig Out	
12	D.O. Ground	Digital Input from other speaker or system
13	Dig In	
14	D.I. Ground	

Meridian Digital Link is a suitable cable for the Comms and the Audio but is not UL approved. If alternative cable is needed, the following specifications should be followed.

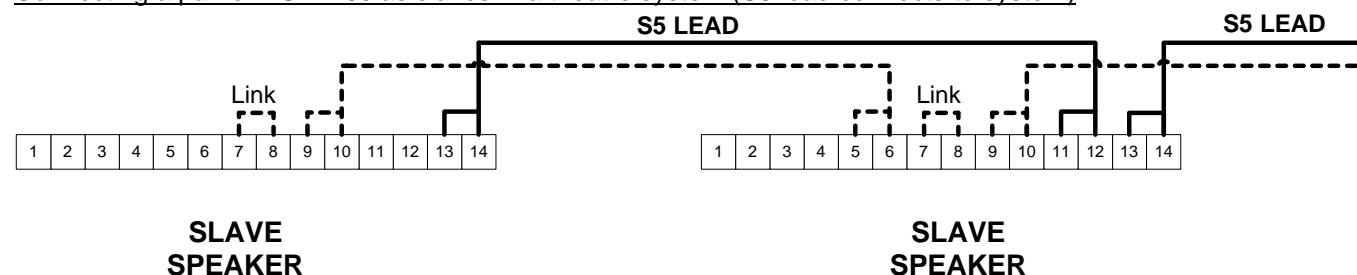
Comms: Single screened cable, 100pF/m or less

Digital Audio: 75 Ohm Coaxial cable, shielded with braid and foil

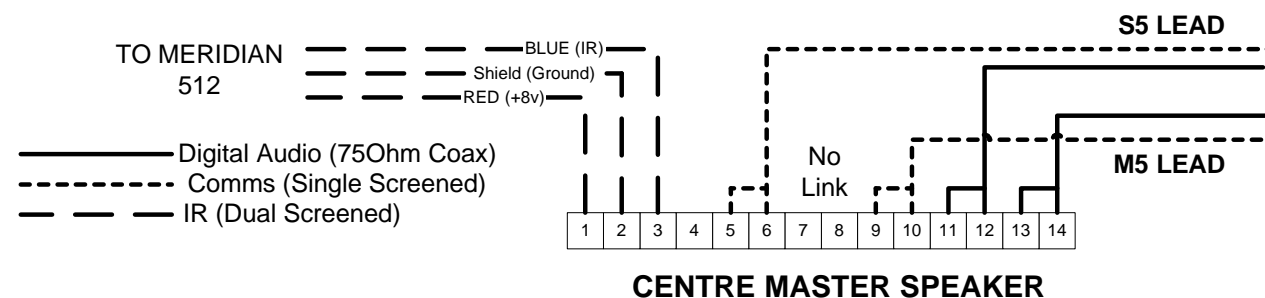
Connecting a pair of DSP420s as a stereo system (M5 lead connects to system)



Connecting a pair of DSP420s as slaves in a theatre system (S5 lead connects to system)



Connecting a DSP420 as a centre master in a theatre system (M5 and S5 connect to system) showing connection to a 512 IR sensor



BOOTHROYD STUART
MERIDIAN

Stonehill, Stukeley Meadows, Huntingdon, Cambridgeshire PE29 6EX, England

Telephone 44 (0)1480 445678

Fax 44 (0)1480 445686

DSP420 INSTALLATION INSTRUCTIONS

This sheet is intended as a guide for installing the wall box for the DSP420 including:-

- Use of the template to cut the correct hole in the wall board
- Fitting the back box to the wall studs
- General wiring instructions for comms and audio
- Fitting the speaker and grille to the back box

Please note: This product is recommended to be a 2 person installation

Please also note: This product is not designed for ceiling installation

IMPORTANT SAFETY INSTRUCTIONS

Read the instruction

Keep these Instructions

Heed all warnings

Follow all instructions

Do not use this apparatus near water

Clean only with a dry cloth

Install only in accordance with the manufacturers instructions

Only use with a Meridian Audio DSP420 digital active loudspeaker

Refer all servicing to approved service personnel

Connection to the mains should be carried out by a skilled and suitable qualified person

Refer all servicing to qualified service personnel. Servicing is required when the apparatus has been damaged in any way, such as power-supply cord or plug is damaged, liquid has been spilled or objects have fallen into the apparatus, the apparatus has been exposed to rain or moisture, does not operate normally, or has been dropped.

WARNING: TO REDUCE THE RISK OF FIRE OR ELECTRIC SHOCK, DO NOT EXPOSE THIS APPARATUS TO RAIN OR MOISTURE.