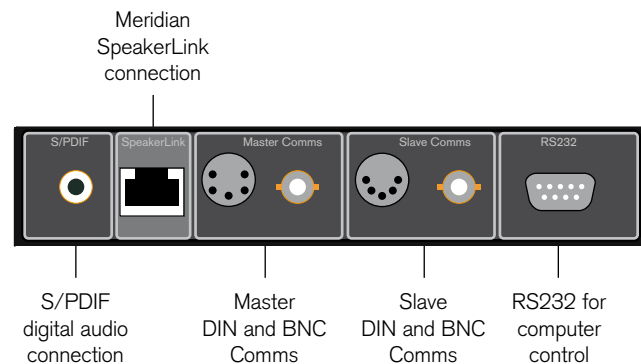


Introduction

The AC12 allows you to connect up a system consisting of both the latest Meridian SpeakerLink products, and earlier Meridian products using Meridian Comms over either 5-pin DIN connectors or BNC connectors.

The AC12 is a passive component and so is completely self-contained; it does not need a power supply or mains connection.

Back panel connections



Acknowledgements

Meridian is a registered trade mark of Meridian Audio Ltd.

SpeakerLink is a trade mark of Meridian Audio Ltd.

Copyright © 2010 Meridian Audio Ltd.

Part number: P83402

Designed and manufactured in the UK by Meridian Audio Ltd. Meridian Audio reserves the right to make changes and improvements to any of the products described in this document without prior notice.

This guide was produced by: Human-Computer Interface Ltd, <http://www.interface.co.uk/>

Sales and service in the UK

Meridian Audio Ltd
Latham Road
Huntingdon
Cambridgeshire
PE29 6YE, England

Tel +44 (0)1480 445678
Fax +44 (0)1480 445686

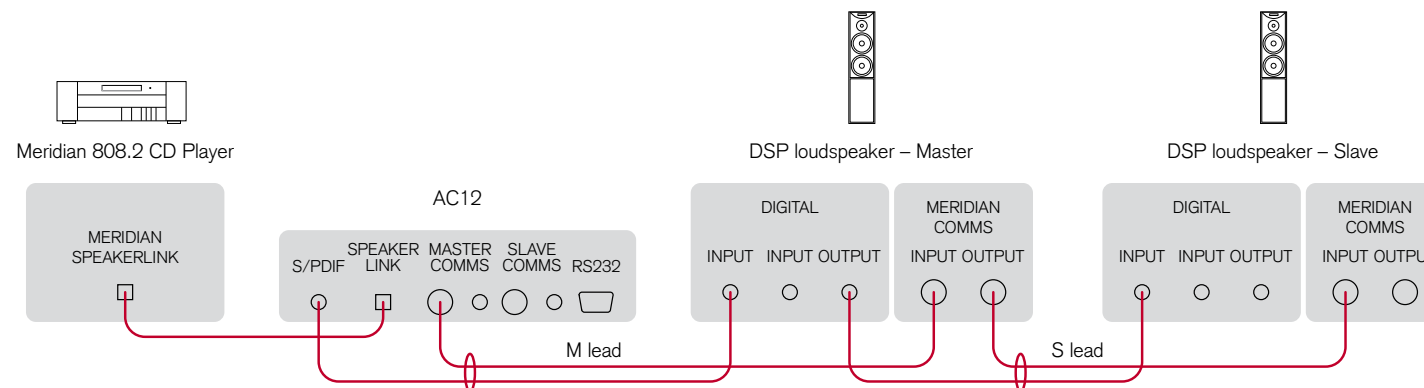
Sales and service in the USA

Meridian America Inc
8055 Troon Circle
Suite C
Austell
GA30168-7849, USA

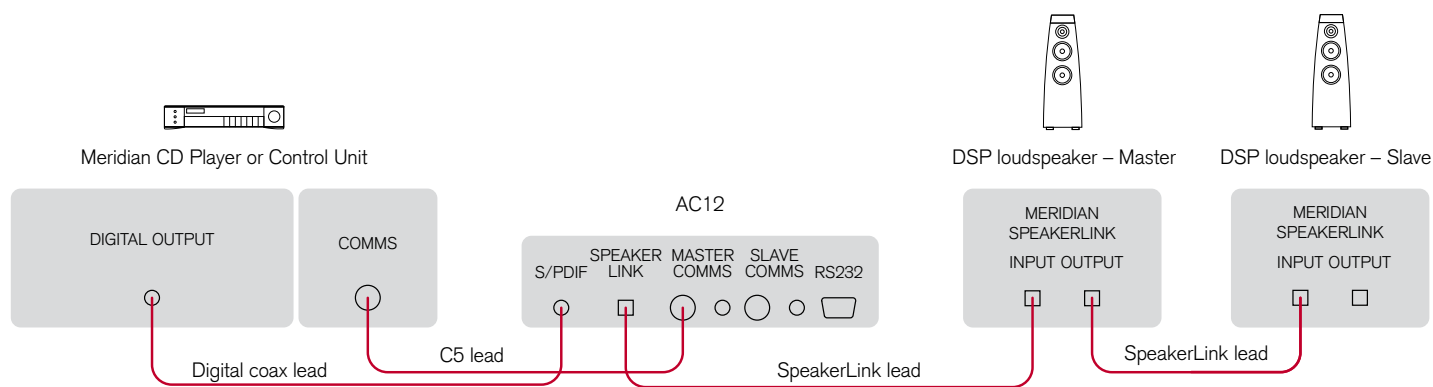
Tel +1 (404) 344 7111
Fax +1 (404) 346 7111

Visit us on the Web:
<http://www.meridian-audio.com/>

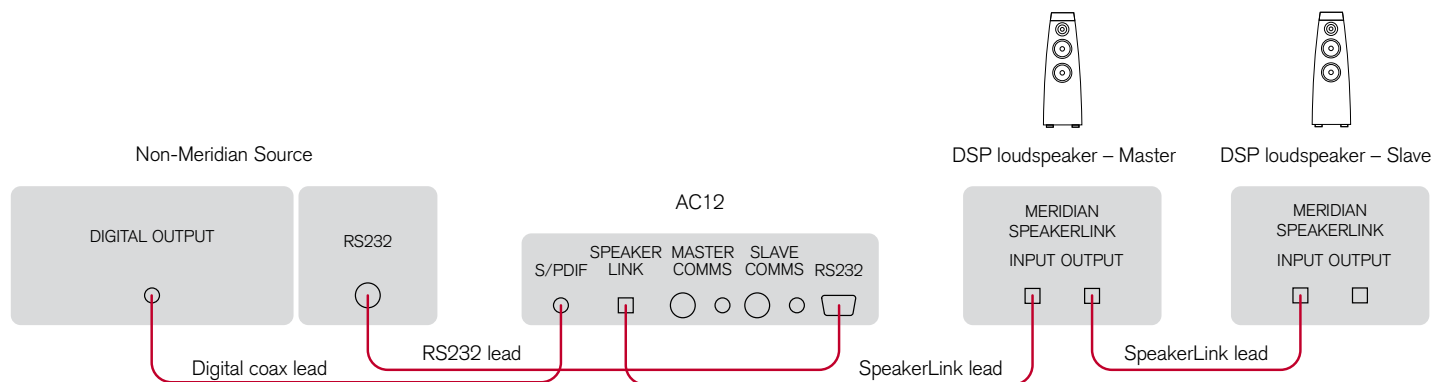
1. 2-channel SpeakerLink to non-SpeakerLink loudspeakers



2. 2-channel non-SpeakerLink to SpeakerLink loudspeakers



3. 2-channel non-Meridian source (eg PC) to SpeakerLink loudspeakers



Use this application to connect a recent Meridian source with a SpeakerLink output to a pair of Meridian Digital loudspeakers that do not have SpeakerLink.

- Connect the SpeakerLink output from the source to the SpeakerLink input on the AC12.
- Connect the Master Comms and S/PDIF connections on the AC12 to the master loudspeaker using a Meridian M lead.

Use the DIN Comms or BNC Comms as appropriate.

- Connect the loudspeakers together using a Meridian S lead.

Use this application to connect a Meridian source that does not have a SpeakerLink output to a pair of Meridian Digital loudspeakers with SpeakerLink.

- Connect the digital output from the source to the S/PDIF input on the AC12, using a digital coax cable.
- Connect the Comms connection from the source to the Master Comms connection on the AC12, using a Meridian C5 (master to master) lead.

Alternatively, if the product has BNC comms you can connect it to the AC12 Master Comms BNC socket.

- Connect the SpeakerLink connector on the AC12 to the loudspeaker you have configured as master using a SpeakerLink lead.
- Connect the loudspeakers together using SpeakerLink leads.

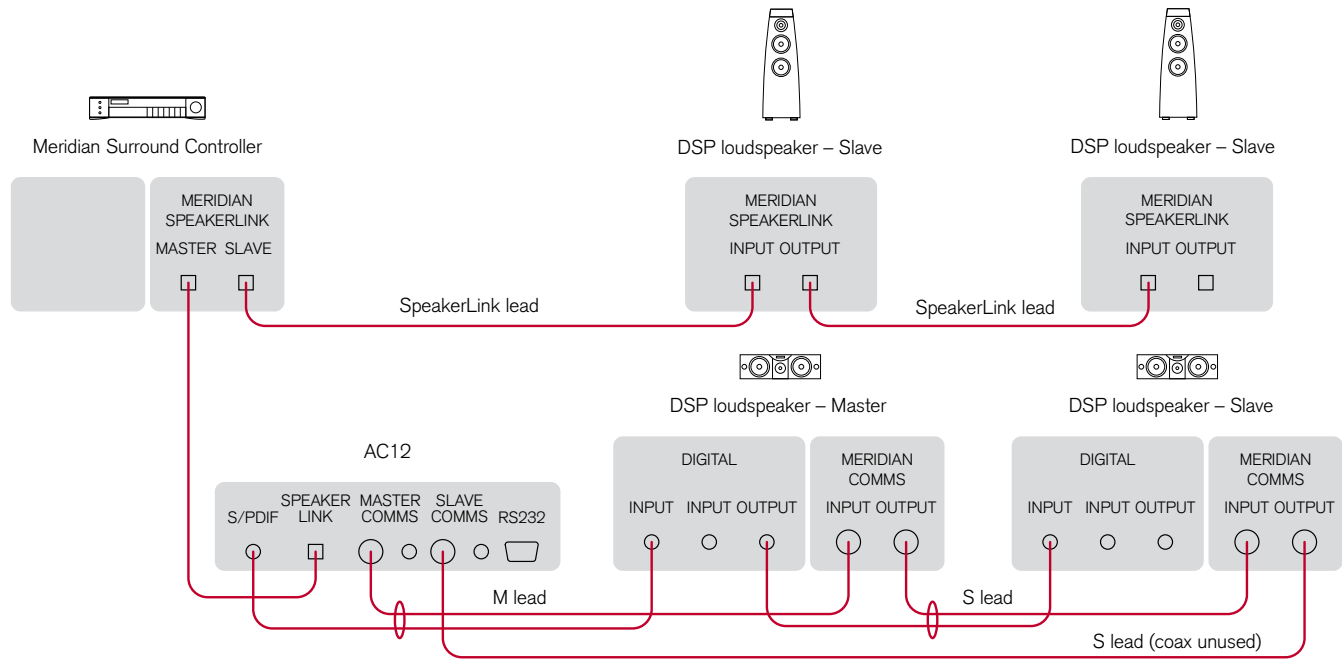
Use this application to connect a non-Meridian source, such as a PC, to a pair of Meridian Digital loudspeakers with SpeakerLink.

- Connect the digital output from the source to the S/PDIF input on the AC12, using a digital coax cable.
- Connect the SpeakerLink connector on the AC12 to the loudspeaker you have configured as master using a SpeakerLink lead.
- Connect the loudspeakers together using SpeakerLink leads.

You can connect an RS232 null-modem cable between the PC and the AC12 to provide PC control of the DSP loudspeakers using the Meridian Control Window program; for more information see the *Meridian Configuration Program Guide*.



4. Multichannel SpeakerLink to SpeakerLink slave loudspeakers and non-SpeakerLink master



Use this application to connect up a multichannel system that includes both SpeakerLink and non-SpeakerLink loudspeakers, where the speaker you have chosen as the master does not have SpeakerLink.

- Connect the Master SpeakerLink output from the source to the SpeakerLink input on the AC12.
- Connect the Master Comms and S/PDIF connections on the AC12 to the loudspeaker you have configured as master, using a Meridian M lead.

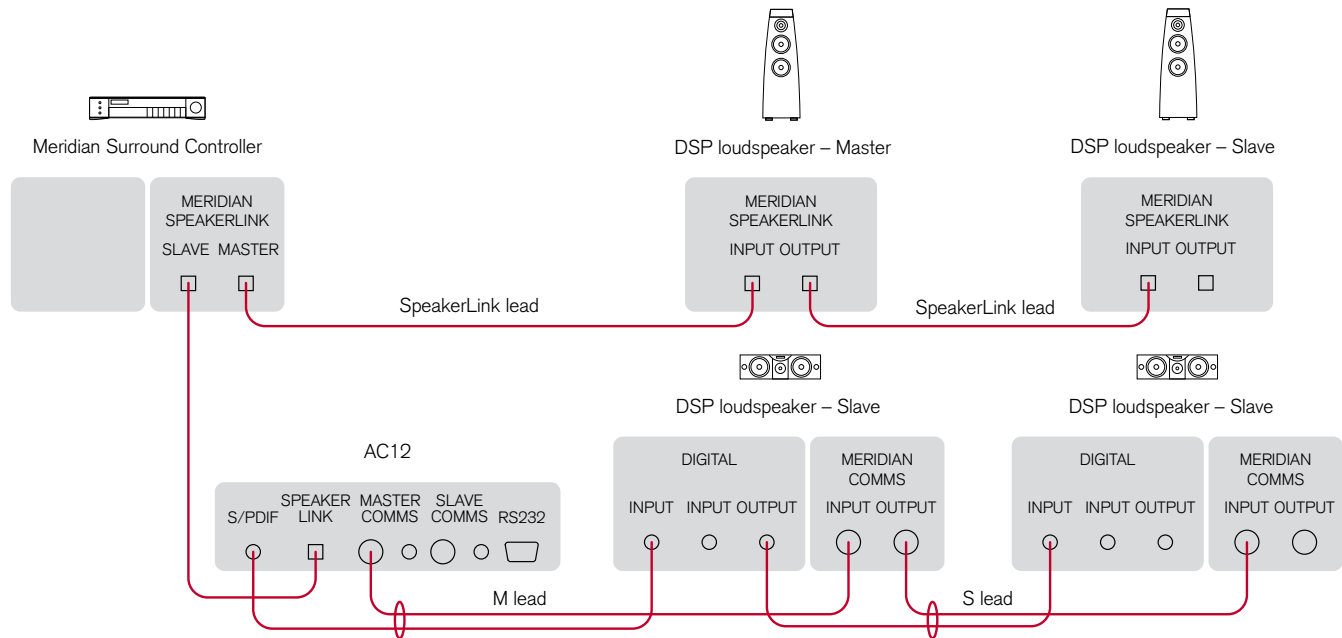
Use the DIN Comms or BNC Comms as appropriate.

- Connect the non-SpeakerLink loudspeakers together using a Meridian S lead.
- Take a return from the last non-SpeakerLink slave loudspeaker back to the AC12 Slave Comms connection, using the Comms part of a Meridian S lead.
- Connect the Slave SpeakerLink output from the source to the first SpeakerLink loudspeaker, using a SpeakerLink lead.
- Connect the remaining SpeakerLink loudspeakers together using SpeakerLink leads.

AC12

User Guide

5. Multichannel SpeakerLink to non-SpeakerLink slave loudspeakers and SpeakerLink master



Use this application to connect up a multichannel system that includes both SpeakerLink and non-SpeakerLink loudspeakers, where the speaker you have chosen as the master does have SpeakerLink.

- Connect the Master SpeakerLink output from the source to the master SpeakerLink loudspeaker, using a SpeakerLink lead.
- Connect the SpeakerLink loudspeakers together using SpeakerLink leads.
- Connect the Slave SpeakerLink output from the source to the SpeakerLink input on the AC12.
- Connect the Master Comms and S/PDIF connections on the AC12 to the first non-SpeakerLink slave loudspeaker, using a Meridian M lead.

Use the DIN Comms or BNC Comms as appropriate.

- Connect the non-SpeakerLink loudspeakers together using a Meridian S lead.